

# MWI P24 PORTABLE COMPACTOR



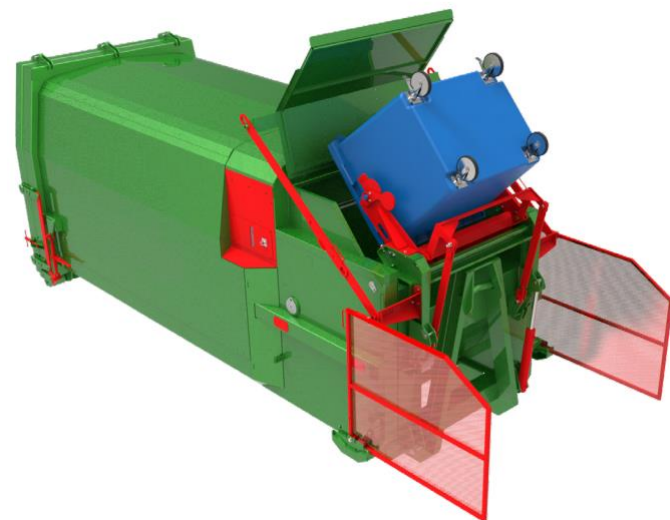
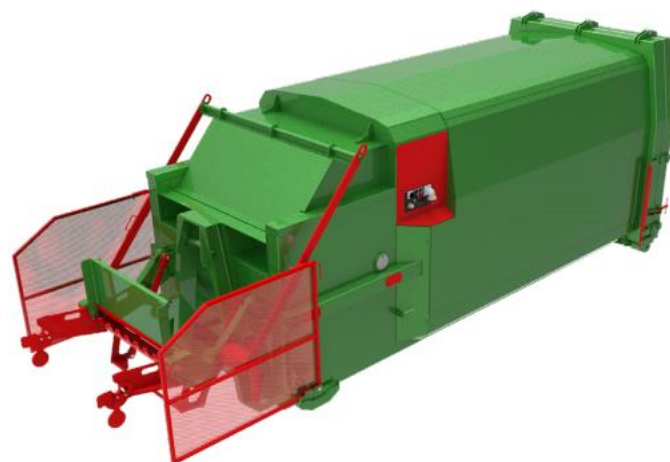
## ENGINEERING SOLUTIONS FOR THE WASTE & RECYCLING INDUSTRIES

The MWI P24 is a high capacity portable compactor designed for use with wet wastes. This compactor is built to the British CHEM standards meaning it can be lifted and transported by any CHEM compliant hook lift truck. The GPC P24 is built to last with quality steel used throughout to ensure the maximum possible longevity. The latest form of control system is used and features the Intelli-Fill remote monitoring and diagnostic system providing a number of useful features.

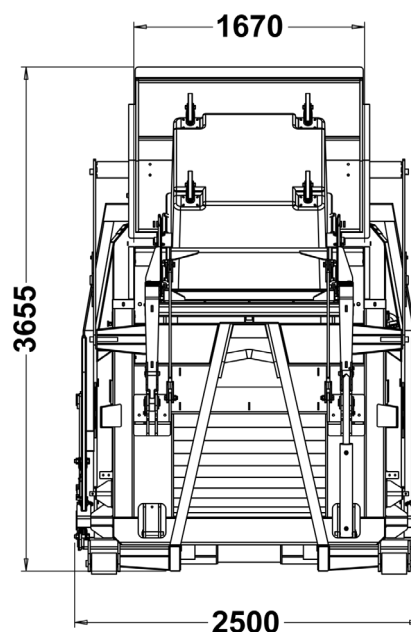
The MWI P24 is the ideal waste management solution for any business or organisation that deals or processes large volumes of wet waste material.

The twin ram powered pendulum in this compactor delivers pressure firmly on the waste. It is suitable for food, medical waste, organic waste or any type of waste high in liquid content.

- Ideal for wet waste.
- Controls available on either side.
- Manual load or bin lift versions available.
- Intelli-Fill wireless connectivity.
- Optional deodorising system available.



| Model  | MWI P24      |
|--|--------------|
| Total Capacity (m <sup>3</sup> )                   | 24           |
| Container Capacity (m <sup>3</sup> )               | 20.5         |
| Charge Box Capacity (m <sup>3</sup> )              | 3.5          |
| Power Supply                                       | 415v 3 Phase |
| Motor Size (Kw)                                    | 5.5          |
| Machine Weight (Kg)                                | 6320         |
| Cycle Time (Seconds)                               | 30           |
| Maximum system pressure (Bar)                      | 200          |
| Ram Bore (mm)                                      | 110          |
| Force per Ram (Tonne)                              | 19           |
| Total Force Delivered (Tonne)                      | 38           |
| Compaction Face Area (m <sup>2</sup> )             | 0.36         |
| Maximum Head Face Pressure (Tonne/m <sup>2</sup> ) | 105          |
| Load Opening (mm)                                  | 1760x1360    |

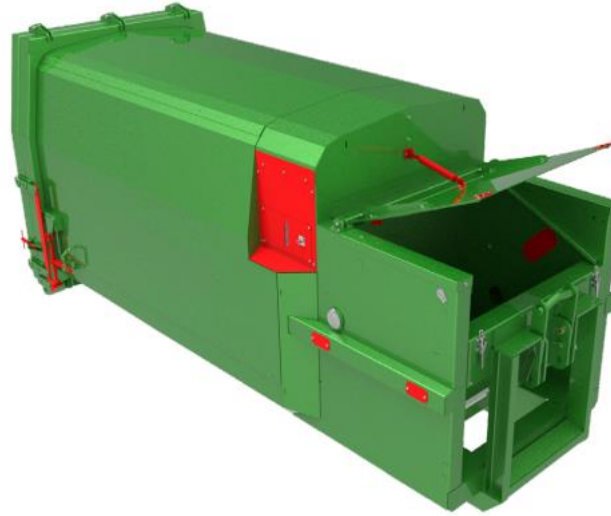
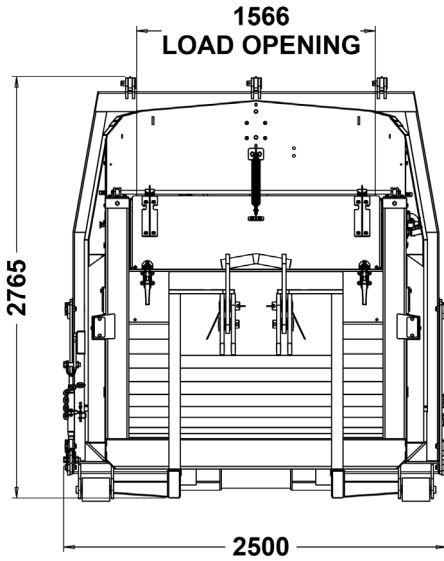


# MWI P24 PORTABLE COMPACTOR



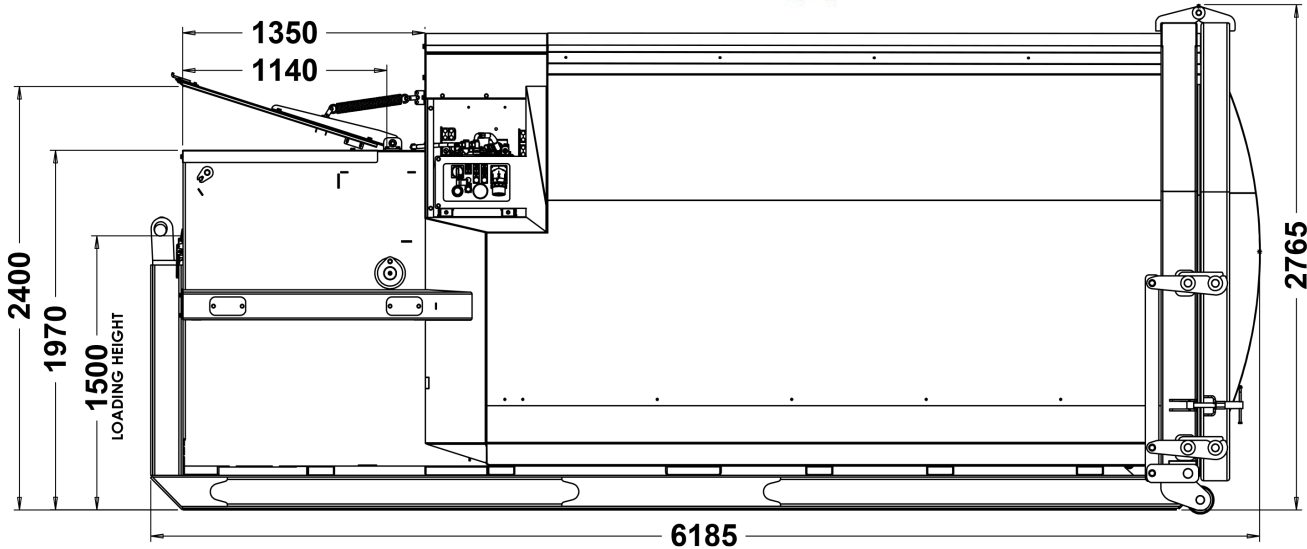
ENGINEERING SOLUTIONS FOR THE WASTE & RECYCLING INDUSTRIES

## Dimensions of MWI P24 Manual load

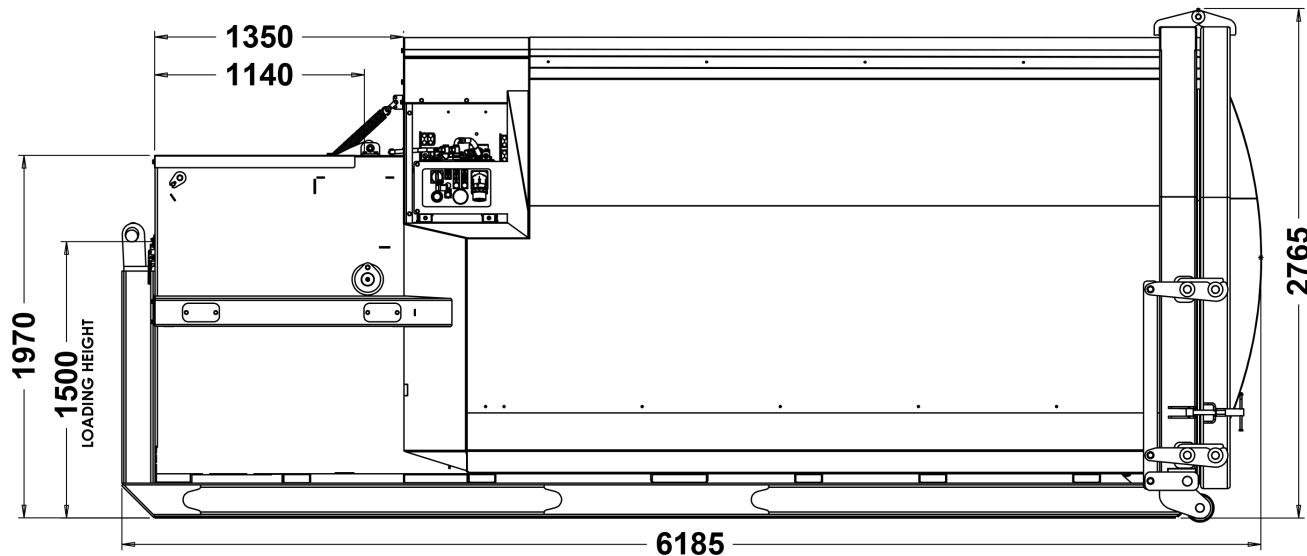


Manually loaded compactor uses spring lifted lid as standard. Hydraulically lifted lid also available.

MWI P24  
Manual Load  
Lid Open



MWI P24  
Manual Load  
Lid Closed



Drage Todorovic 54  
34000 Kragujevac  
Serbia



Email: [office@maroworldinc.com](mailto:office@maroworldinc.com)  
Phone: +381 60 6377551



[www.maroworldinc.com](http://www.maroworldinc.com)



# MWI P24

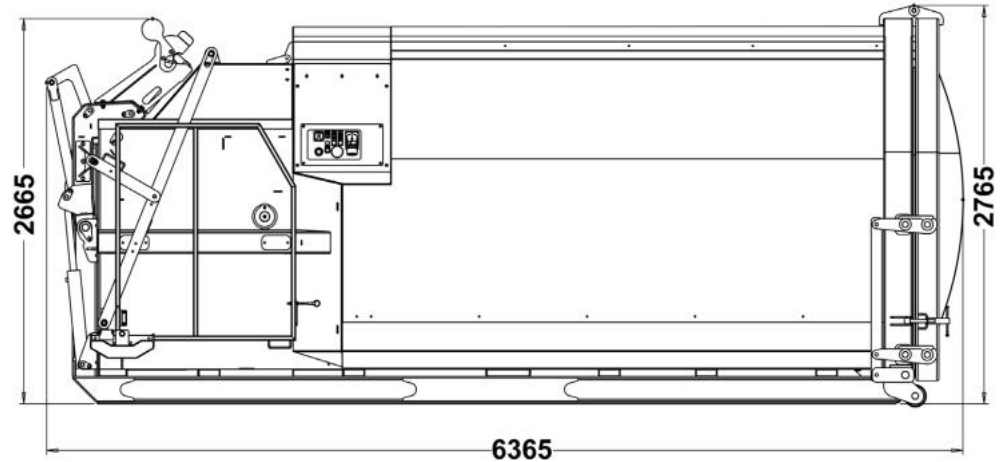
## PORTABLE COMPACTOR



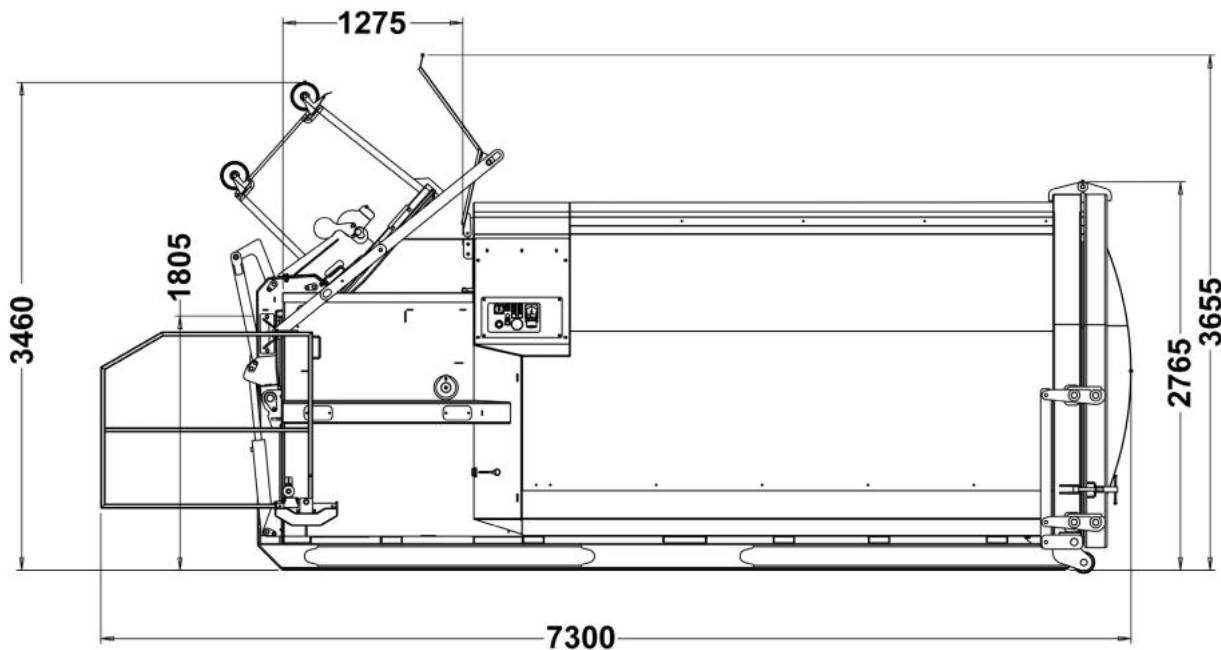
ENGINEERING SOLUTIONS FOR THE WASTE & RECYCLING INDUSTRIES

### Dimensions of MWI P24 with Bin Lift

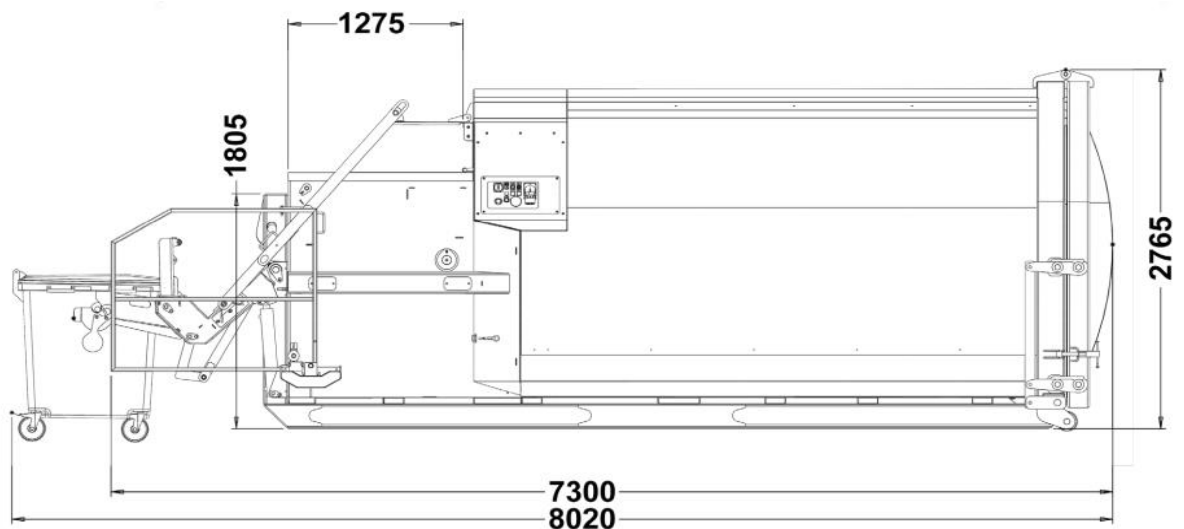
MWI P24  
Bin Lift  
Transport Position



MWI P24  
Bin Lift  
Bin Lift Up



MWI P24  
Bin Lift  
Bin Lift Down



Drage Todorovic 54  
34000 Kragujevac  
Serbia



Email: [office@maroworldinc.com](mailto:office@maroworldinc.com)  
Phone: +381 60 6377551



[www.maroworldinc.com](http://www.maroworldinc.com)

