

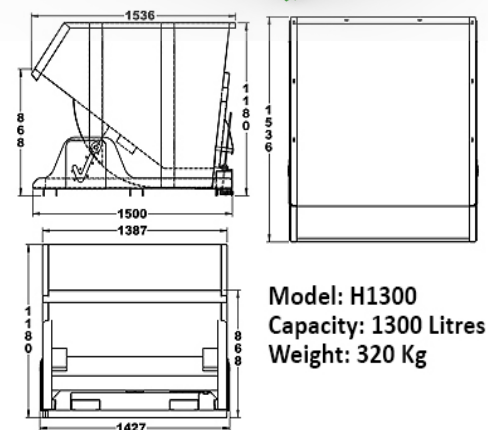
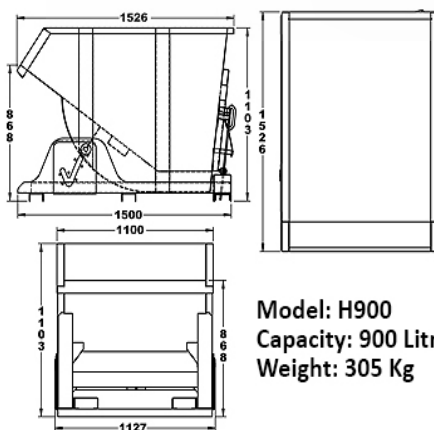
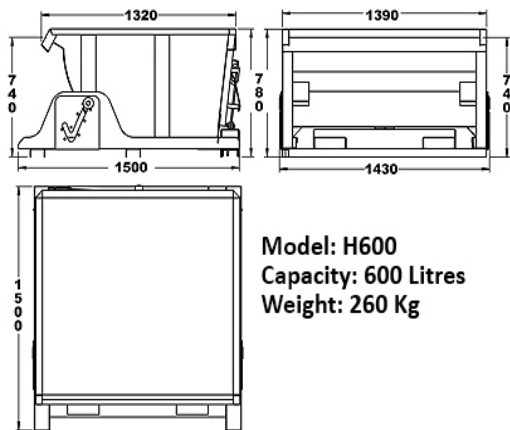
Tipping Skip Range

ENGINEERING SOLUTIONS FOR THE WASTE & RECYCLING INDUSTRIES

Tipping Skips are manufactured for easy transportation of waste and recyclables in many different working environments. They are attached to any conventional forklift making it easy to load Compactors, Containers or Balers with a variety of waste types. They feature an easy to use lock and handle which holds the tipping skip in its upright position, once released the tipping skip will empty all of its contents in a controlled manner.

The default tipping skip models are the H900, H1100, and H1300 with the model name determining the size in cubic millimetres.

We have produced a number of bespoke tipping skips to suit specific customer requirements and advise getting in contact to discuss requirements.



Tipping Skip Options

- Range of colour choices
- Bespoke design features
- Rubber lining for noise reduction
- Lockable lids
- Liquid drainage port
- Wheeled base for easy movement on site
- Auto dump feature
- Vacuum extraction system compatibility
- Rotating forklift truck versions
- Stainless steel or galvanised construction